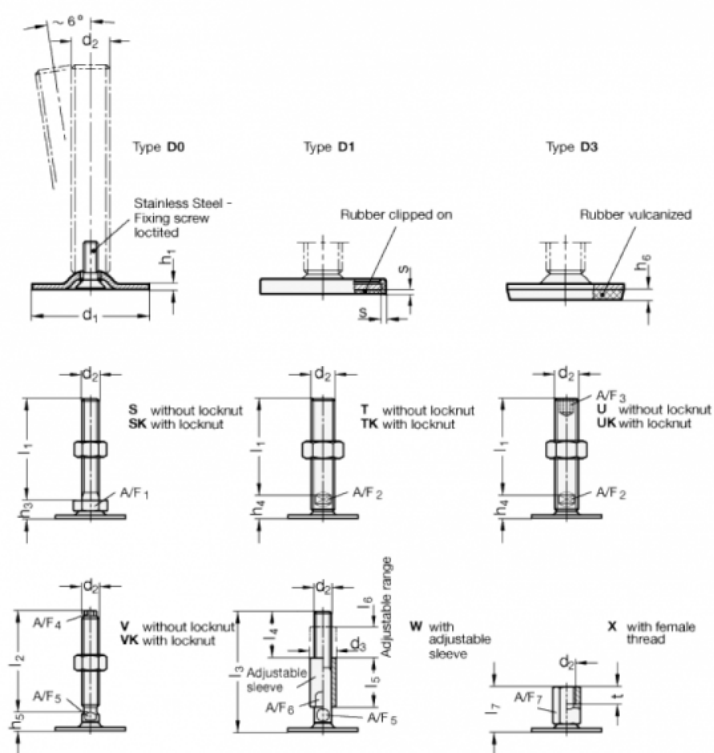


Article number: 204180M20150D0V

Description: E+G levelling foot  
GN 41-80-M20-150-D0-V

Note: V Without nut, External hexagon at the top, Wrench flat at the bottom

## Measures



A/F4 = 13

s =

A/F5 = 16

d1 = 80

d2 = M20

h1 = 3

h5 = 15

h6 =

l2 = 150